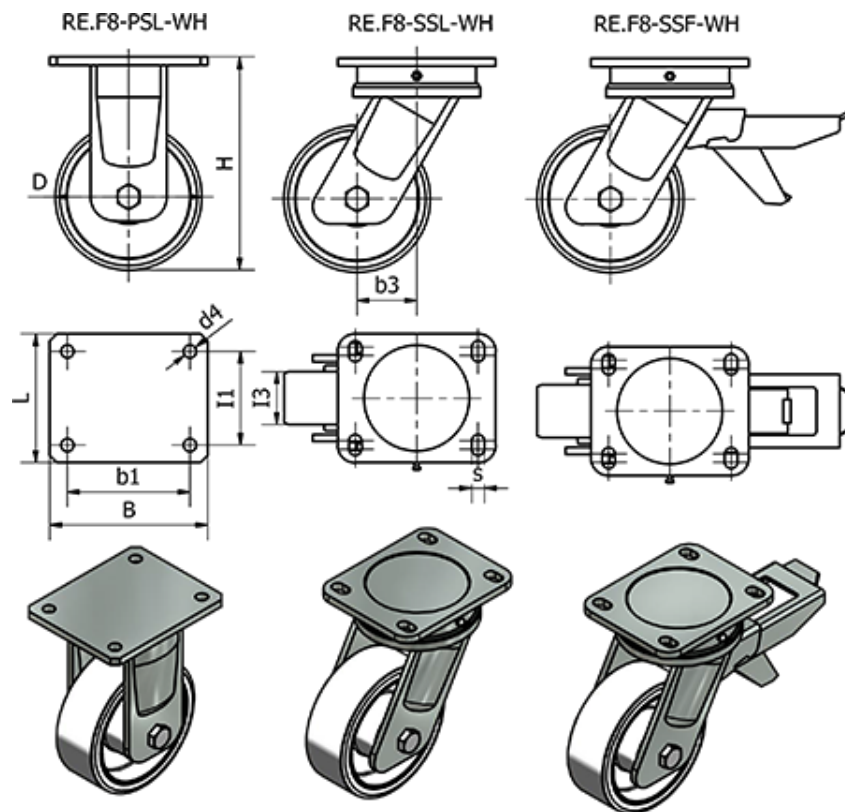


Article number: 2314449482

Description: E+G polyamide wheel
RE.F8-150-PSL-WH - Fixed plate in Zinc-plated steel

Measures



| | | | |
|-------------------------------|----------|------------------------|--------------------|
| B | = 135 | I1 | = 80 |
| b1 | = 105 | I3 | = 45 |
| b3 | = 60 | L | = 110 |
| Code | = 449482 | R | = 157 |
| D | = 150 | Rolling resistance (N) | = 4550 |
| d4 | = 11 | s | = |
| Dynamic carrying capacity (N) | = 7500 | Type | = RE.F8-150-PSL-WH |
| H | = 210 | Weight (g) | = 3740 |